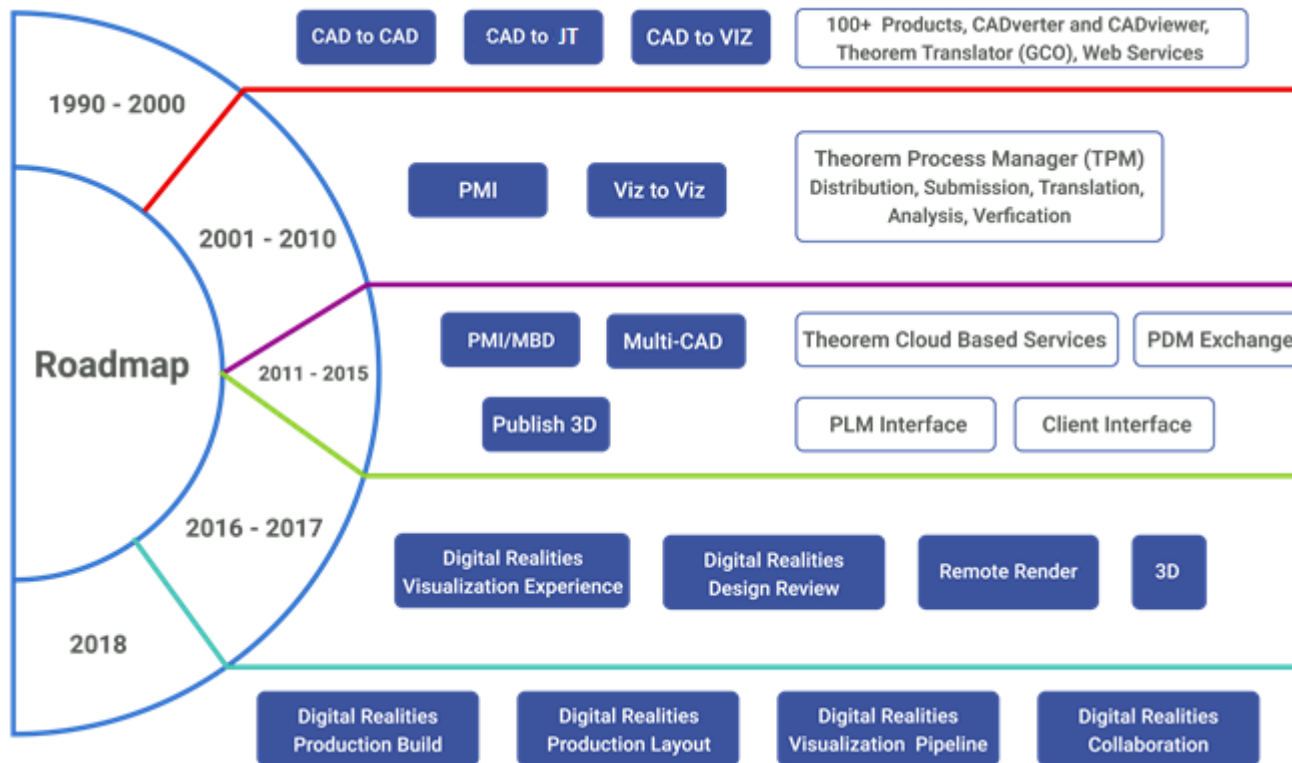


# JT in change

Ryan Dugmore  
Lead Technical Consultant



# Theorem Solutions



## Translate

your 3D CAD to and from JT



## Publish

your JT to 3D PDF



## Visualize

your JT in full-scale with Theorem XR experiences



## JT Product Suite

ACIS to JT

CADDS to JT

CATIA 3DEXPERIENCE to JT

CATIA V4 to JT

CATIA V5 to JT

CATIA V5 Independent to JT

CATIA V5 to JT Ford Supplier

CATIA V5 Multi-CAD JT

CATIA V4/V5 to JT

Creo Parametric to JT

Inventor to JT

SolidWorks to JT

STEP to JT

- Rich history of providing users the ability to translate their CAD data to and from JT for data exchange/review
- Support for ALL data forms across all products:
  - **Assembly Structure**
    - JT / PLMXML / .vf / .vfz / AP242 BO Model XML
  - **Geometry**
    - JtBrep / XtBrep / ULP
  - **Metadata**
  - **Motion**
    - .vfm
  - **PMI / Model Views**
- Jtk Support
  - **Current : Jtk 10.2**
  - **Next Rev : Jtk 10.4**
    - Support for ULP2



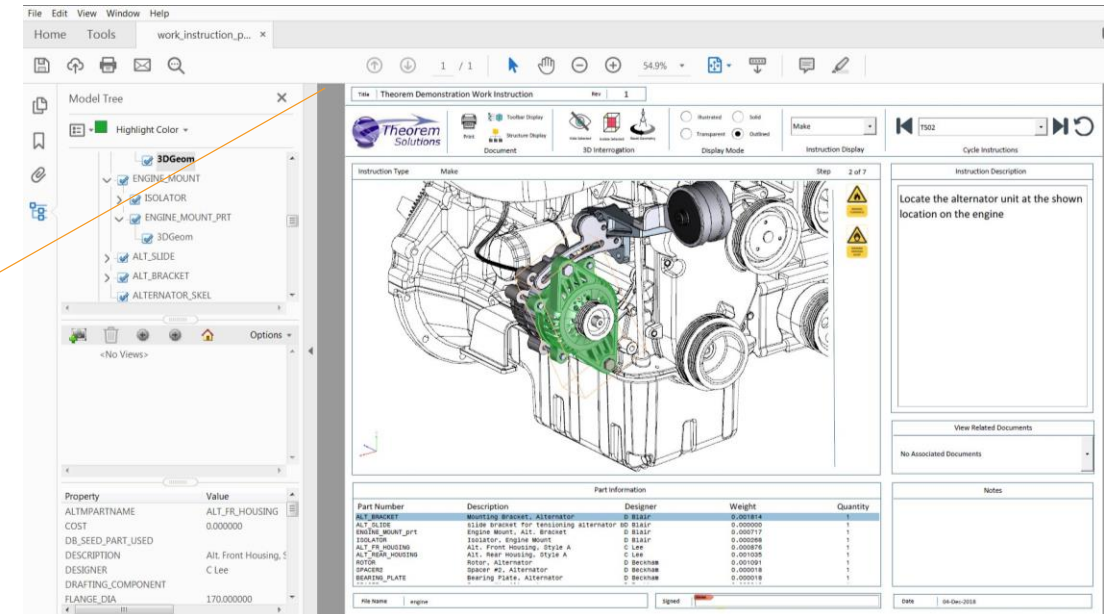
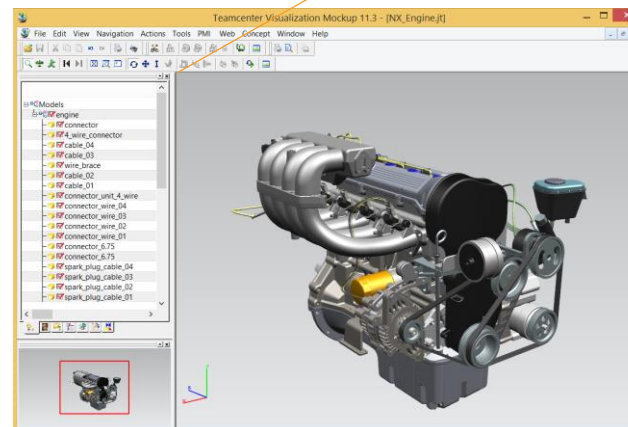
# Publish



Extending the value of users JT and PLM assets by publishing them to 3D PDF

- Supports ad hoc or volume publishing
- Offers independent viewing /sharing of the native JT file
- It can be fully integrated into business processes and enterprise systems
- Generate documentation based on your use cases:

- Work Instruction
- Request for Quotation
- Technical Data Sheet
- Technical publications

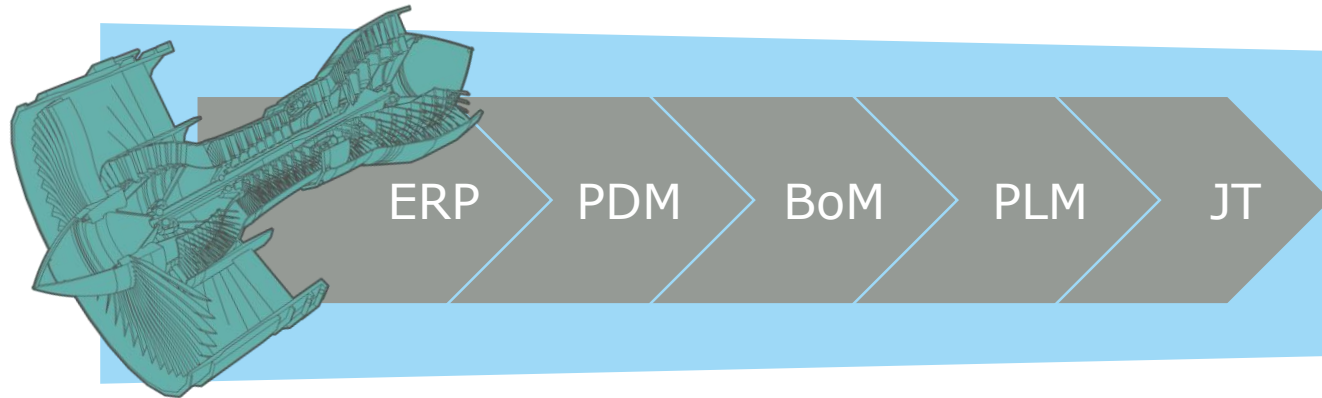




# Visualize



Extended Reality (XR) use-case focused application suite that allows companies to visualize their existing JT geometry, product structure, metadata and other supporting data in Augmented, Mixed or Virtual Reality devices.



It has been designed to **optimize the output for all visualization workflows**, automatically processing data, or responding on-demand.

